

## Advantages

1+1 switching logic and drivers reside in the IBUCs  
- no external logic controller required.

Web browser interface with embedded web pages for easy setup, monitor, and control.

Auto-Cloning function means user sets up primary IBUC as desired and secondary unit clones its settings.

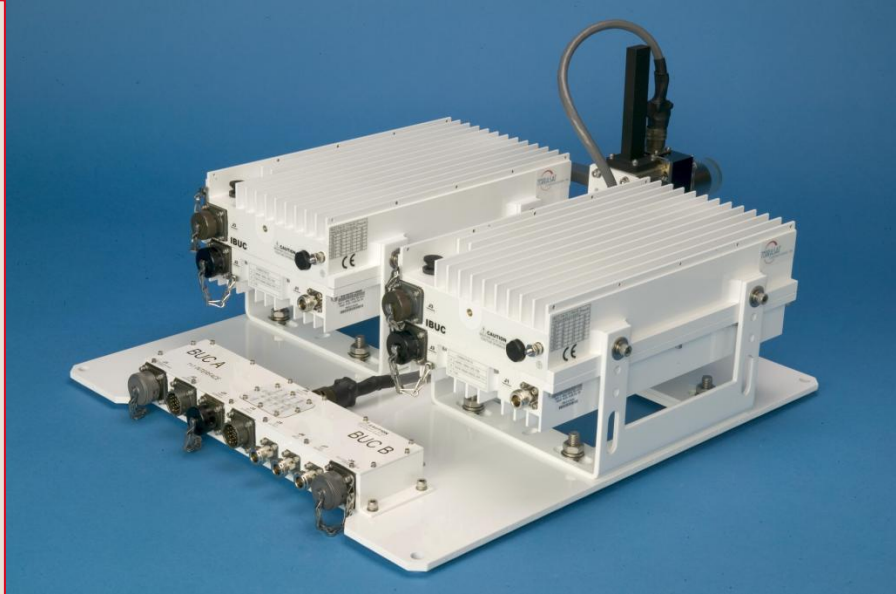
LEDs provide quick visual indication of IBUC condition.

Compact, integrated mounting package.

Access via:

- FSK through TX IFL cable.
- TCP/IP with embedded web pages.
- SNMP agent
- RS485/232 serial port.
- Handheld Terminal.

Separate outdoor RX 1+1 controller powered by IBUC power supplies is available.



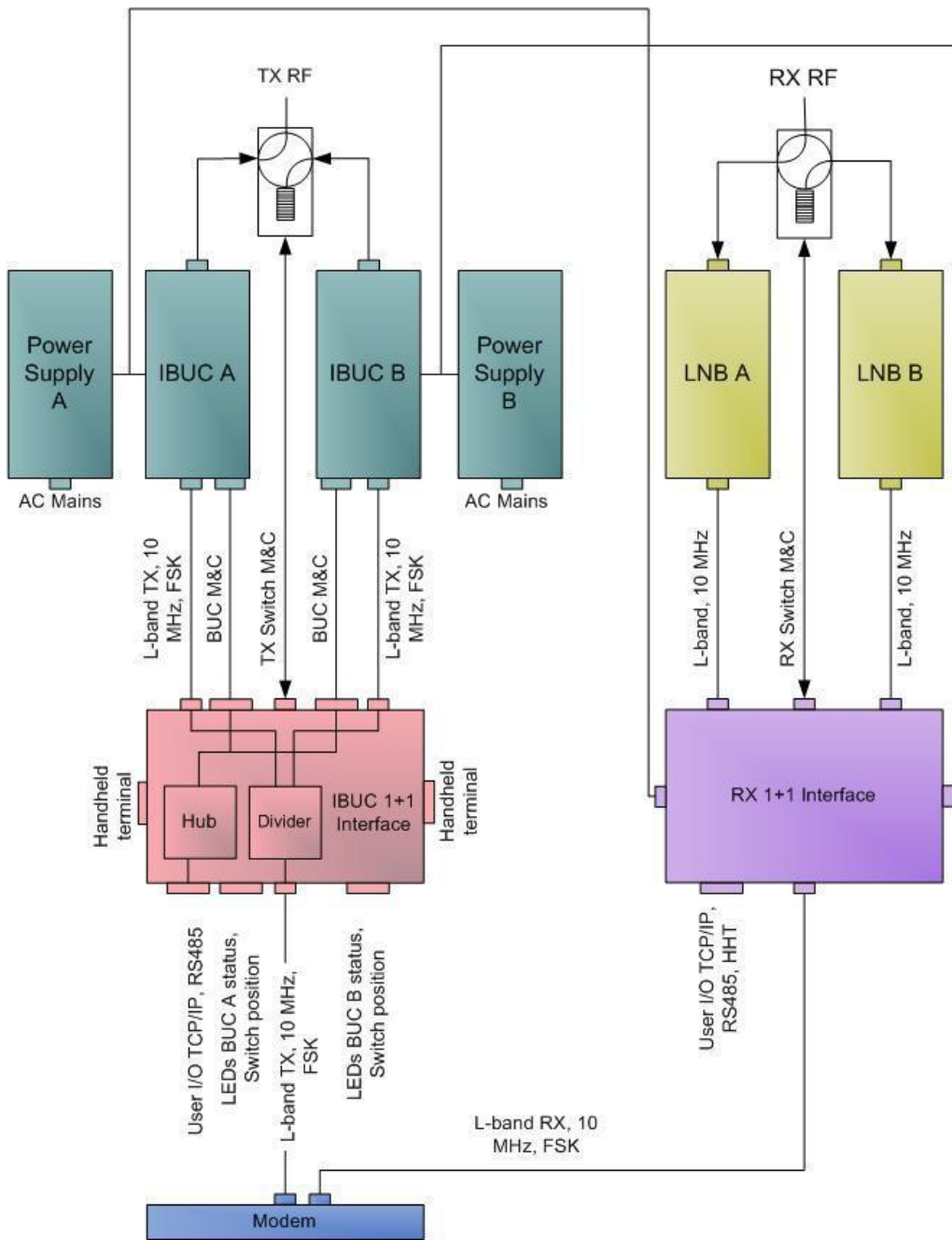
The integration of 1+1 protection was a key design goal in Terrasat's IBUC Intelligent Block Upconverters development. The IBUC redefines 1+1 protection switching. Instead of using a separate switching logic unit with its expense and complexity, Terrasat incorporated the switching logic and drivers into the IBUC itself.

Protected units monitor each other's alarm condition and, through a simple switching junction box, make the decision to switch. The IBUC 1+1 package includes a cloning feature to simplify 1+1 setup. Terrasat's 1+1 solution is a complete package with a dual-IBUC mounting bracket for convenient installation.

A 1+1 junction box mounts on the 1+1 mounting plate. Practically a passive unit, the junction box manages the functions of dividing the IF signal and routing signals through an Ethernet switch. It supports interface connectors and includes a bank of LEDs for visual indication of alarm conditions. The user interface is via web browser to embedded web pages, handheld terminal, RS232 or RS485.

A Receive 1+1 system is available with a separate outdoor RX interface box. The receive interface box receives DC power from the IBUC power supplies and performs all required functions for 1+1 operation of LNB's. No indoor controller is necessary. Monitoring and control is via TCP/IP port on the interface box. The interface box fits the Terrasat universal mounting bracket and the system comes with cables and waveguide switch.

# IBUC 1+1 System Block Diagram



## 1+1 TX/RX



235 Vineyard Court  
 Morgan Hill, CA 95037  
 Tel. +1 408.782.5911  
 Fax: +1 408.782.5912  
 www.terrasatinc.com

Specifications are subject to change without notice